



Beijing Olympic Park

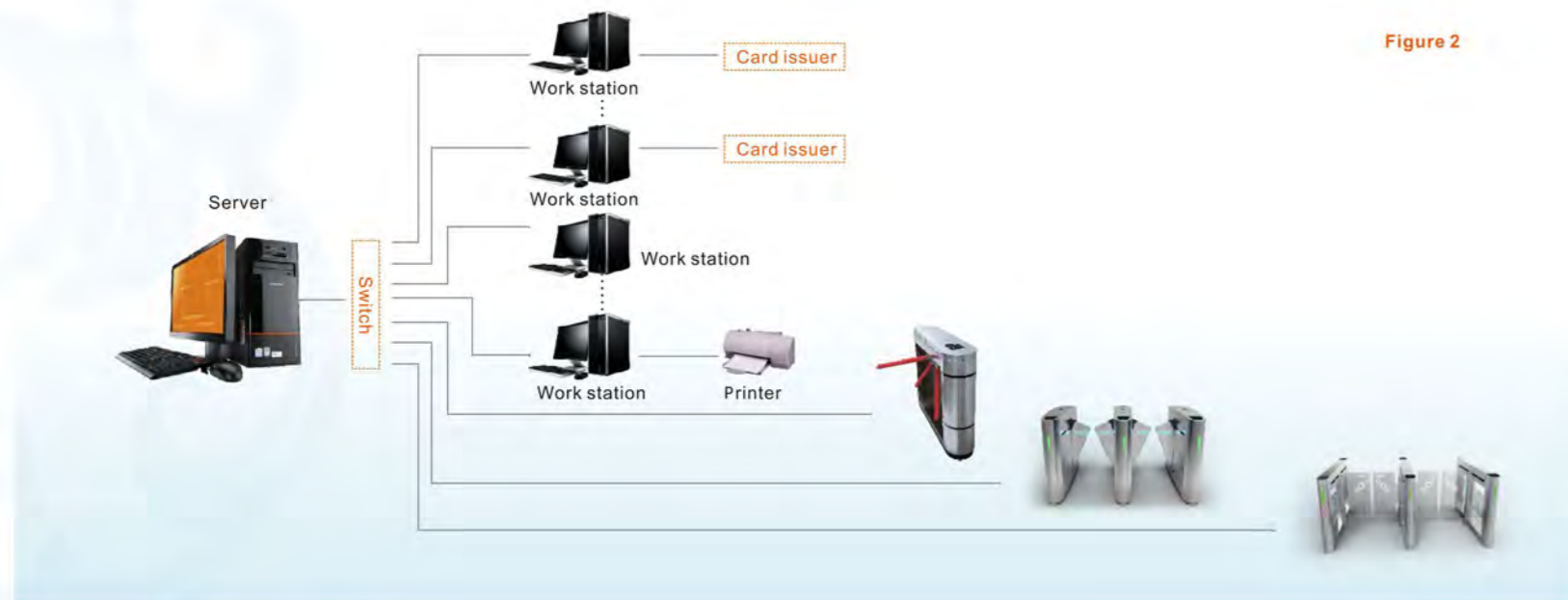
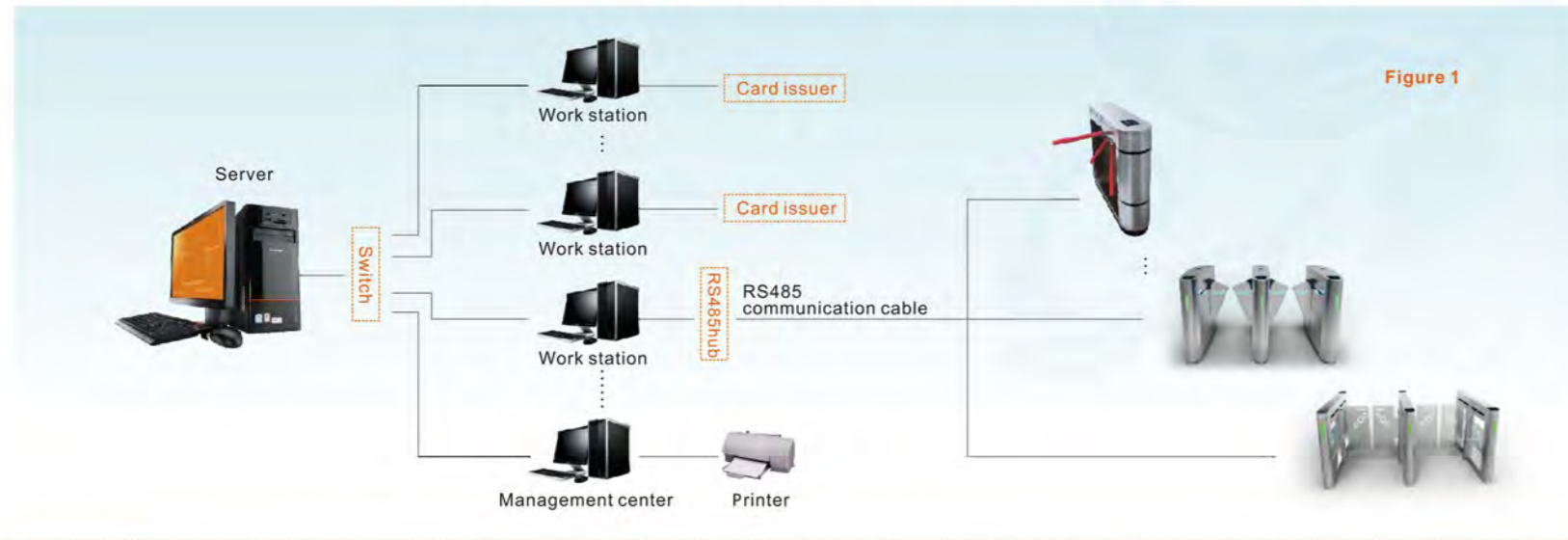


E ntrance Control

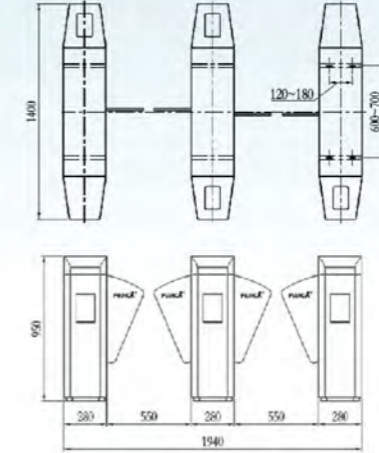
Fujica Pedestrian Control products include flap barrier, swing barrier and tripod turnstile etc. Together with intelligent card reader/writer and management software, they build up an intelligent pedestrian management system, can fulfill functions like entrance control, time attendance, pedestrian volume control etc.

The products can be widely used for applications like stadium, apartment, factory, museum, station and port etc.

System Network Topology Chart



Flap Barrier FJC-Z1118

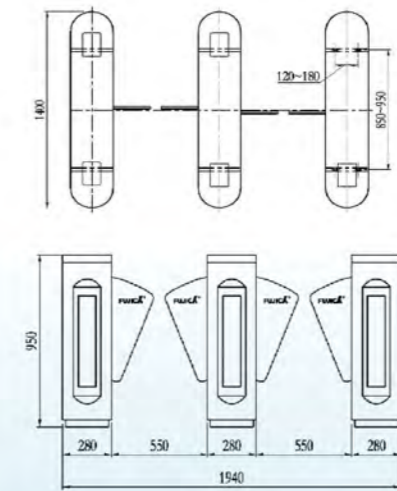


Technical Data

Housing material	304 stainless steel
Working environment	Indoor, outdoor
Working temperature	-30°C -- +70°C
Relative humidity	≤95% coagulation free
MCBF	3,000,000 cycles
Channel width	500-550 mm
Pass speed	40 persons/min.
Input interface	switch volume or 12V level
Power supply	AC 220V/110V (optional)
Communication interface	RS485
Power	50W

Technical Data

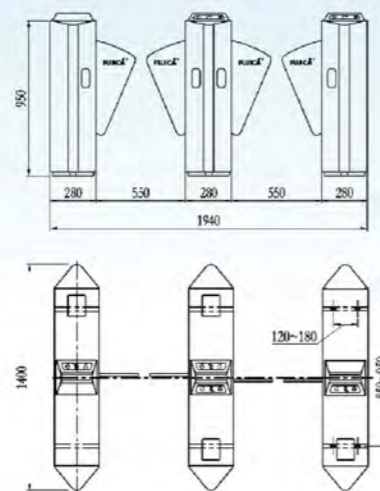
Housing material	304 stainless steel
Working environment	Indoor, outdoor
Working temperature	-30°C -- +70°C
Relative humidity	≤95% coagulation free
MCBF	3,000,000 cycles
Channel width	500-550 mm
Pass speed	40 persons/min.
Input interface	switch volume or 12V level
Power supply	AC 220V/110V (optional)
Communication interface	RS485
Power	50W



Flap Barrier FJC-Z1128



Flap Barrier FJC-Z1138

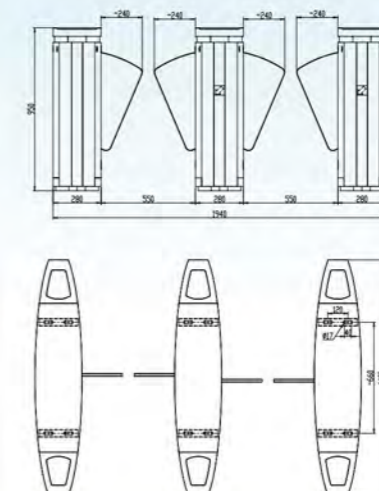


Technical Data

Housing material	304 stainless steel
Working environment	Indoor, outdoor
Working temperature	-30°C -- +70°C
Relative humidity	≤95% coagulation free
MCBF	3,000,000 cycles
Channel width	500-550 mm
Pass speed	40 persons/min.
Input interface	switch volume or 12V level
Power supply	AC 220V/110V (optional)
Communication interface	RS485
Power	50W



Flap Barrier FJC-Z1358

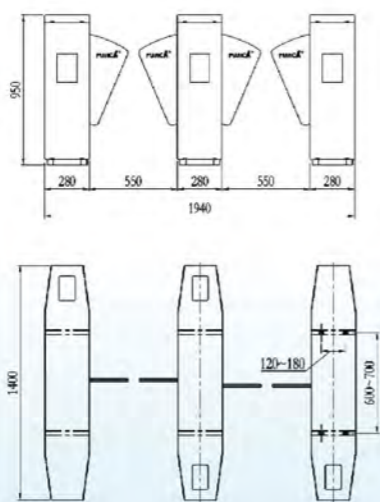


Technical Data

Housing material	304 stainless steel
Working environment	Indoor
Working temperature	-30°C -- +70°C
Relative humidity	≤95% coagulation free
MCBF	3,000,000 cycles
Channel width	500-550 mm
Pass speed	40 persons/min.
Input interface	switch volume or 12V level
Power supply	AC 220V/110V (optional)
Communication interface	RS485
Power	50W

Technical Data

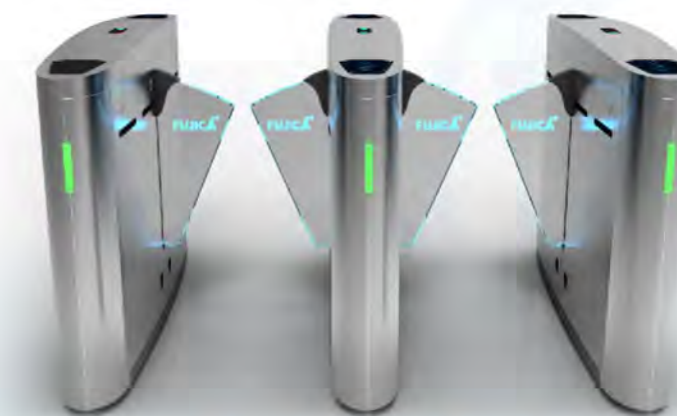
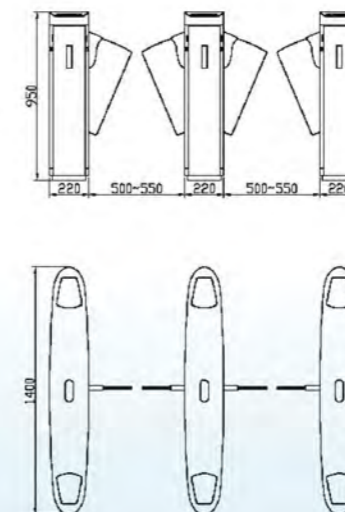
Housing material	304 stainless steel
Working environment	Indoor, outdoor
Working temperature	-30°C -- +70°C
Relative humidity	≤95% coagulation free
MCBF	3,000,000 cycles
Channel width	500-550 mm
Pass speed	40 persons/min.
Input interface	switch volume or 12V level
Power supply	AC 220V/110V (optional)
Communication interface	RS485
Power	50W



Flap Barrier FJC-Z1248

Technical Data

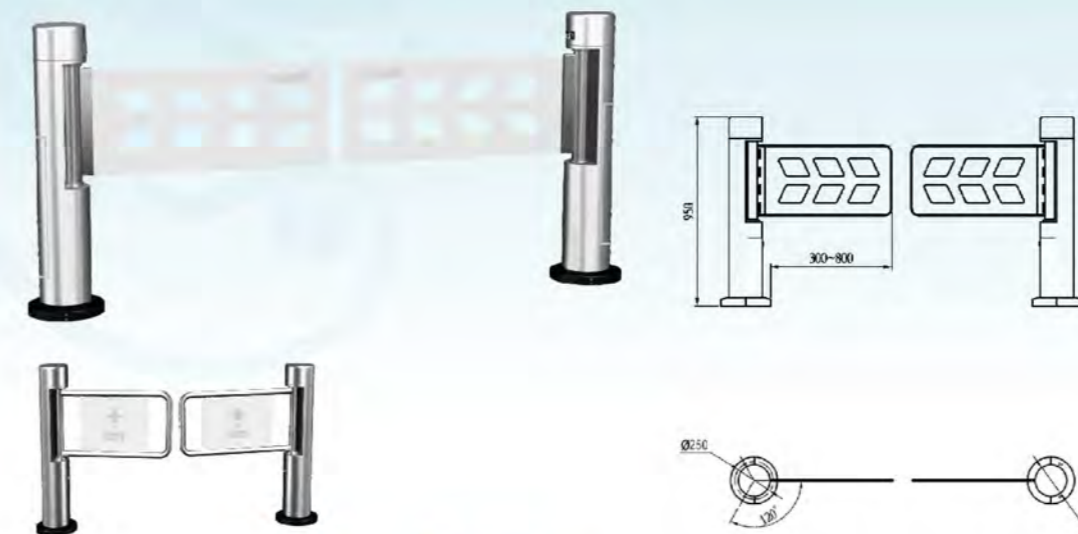
Housing material	304 stainless steel
Working environment	Indoor, outdoor
Working temperature	-30°C -- +70°C
Relative humidity	≤95% coagulation free
MCBF	3,000,000 cycles
Channel width	500-550 mm
Pass speed	40 persons/min.
Input interface	switch volume or 12V level
Power supply	AC 220V/110V (optional)
Communication interface	RS485
Power	50W



Flap Barrier FJC-Z1368

Functions And Features

- ◆ Compatible with RF card access control system.
- ◆ Can be expanded to automatic identification system, realizing functions like access control, pedestrian flow control, attendance check or fare collection.
- ◆ Equipped with international standard electrical interface, can be easily integrated with other R/W device, also can be controlled and managed through remote supervision computer.
- ◆ Infrared photocell protection.
- ◆ LED direction indicator .
- ◆ Can open the gate by two input signals .
- ◆ Audible sound prompt and information display function available.
- ◆ The flaps will open automatically during power interruption, and recover N/C mode after power on (optional).
- ◆ Counting function.
- ◆ Heating equipement for low temperature (optional) .



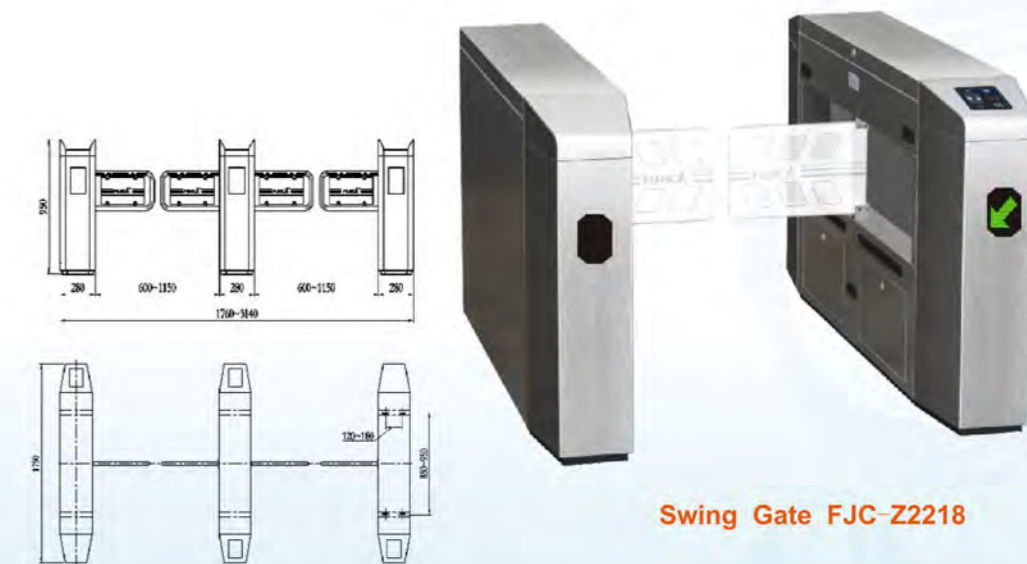
Swing Gate FJC-Z2148

Technical Data

Housing material	304 stainless steel
Working enviornment	Indoor, outdoor
working temperature	-30°C -- +70°C
Relative humidity	≤95% coagulation free
MCBF	1,000,000 cycles
Channel width	single unit≤800mm
Pass speed	25 persons/min.
Input interface	switch volume
Power supply	AC 220V/110V (optional)
Communication interface	RS485
Power	50W
Swing angle	±90 degrees

Technical Data

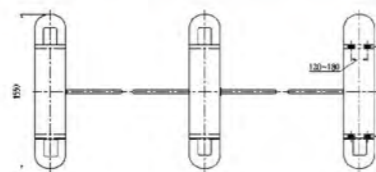
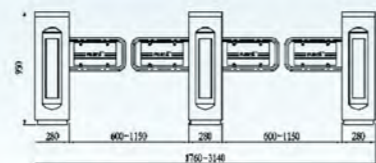
Housing material	304 stainless steel
Working enviornment	Indoor, outdoor
working temperature	-30°C -- +70°C
Relative humidity	≤95% coagulation free
MCBF	1,000,000 cycles
Channel width	two units: 600-1150mm
Pass speed	25 persons/min.
Input interface	switch volume or 12V level
Power supply	AC 220V/110V (optional)
Communication interface	RS485
Power	50W
Swing angle	±90 degrees



Swing Gate FJC-Z2218



Swing Gate FJC-Z2228

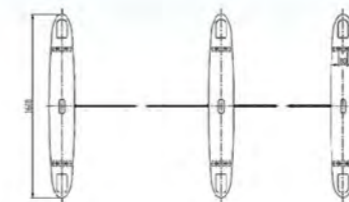
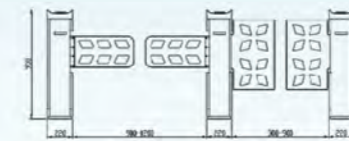


Technical Data

Housing material	304 stainless steel
Working environment	Indoor, outdoor
working temperature	-30°C -- +70°C
Relative humidity	≤95% coagulation free
MCBF	1,000,000 cycles
Channel width	two units: 600-1150mm
Pass speed	25 persons/min.
Input interface	switch volume or 12V level
Power supply	AC 220V/110V (optional)
Communication interface	RS485
Power	50W
Swing angle	±90 degrees



Swing Gate FJC-Z2368

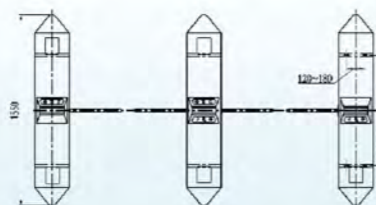
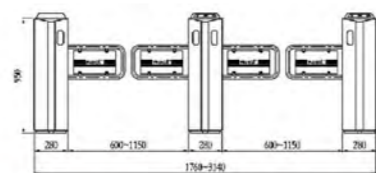


Technical Data

Housing material	304 stainless steel
Working environment	Indoor
working temperature	-30°C -- +70°C
Relative humidity	≤95% coagulation free
MCBF	1,500,000 cycles
Channel width	500-1150mm
Pass speed	30 persons/min.
Input interface	switch volume or 12V level
Power supply	AC 220V/110V (optional)
Communication interface	RS485
Power	50W
Swing angle	±90 degrees

Technical Data

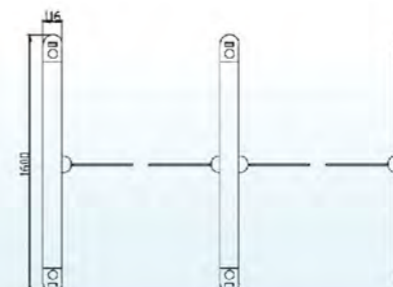
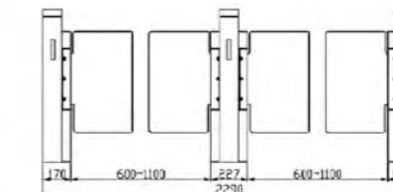
Housing material	304 stainless steel
Working environment	Indoor, outdoor
working temperature	-30°C -- +70°C
Relative humidity	≤95% coagulation free
MCBF	1,000,000 cycles
Channel width	two units: 600-1150mm
Pass speed	25 persons/min.
Input interface	switch volume or 12V level
Power supply	AC 220V/110V (optional)
Communication interface	RS485
Power	50W
Swing angle	±90 degrees



Swing Gate FJC-Z2238

Technical Data

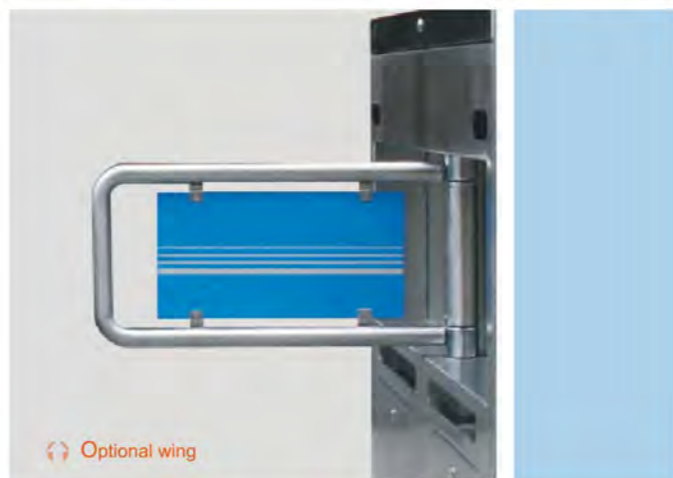
Housing material	304 stainless steel
Working environment	Indoor
working temperature	-30°C -- +70°C
Relative humidity	≤95% coagulation free
MCBF	1,500,000 cycles
Channel width	600-1100mm
Pass speed	30 persons/min.
Input interface	switch volume or 12V level
Power supply	AC 220V/110V (optional)
Communication interface	RS485
Power	50W
Swing angle	±90 degrees



Swing Gate FJC-Z2358

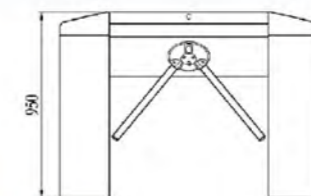
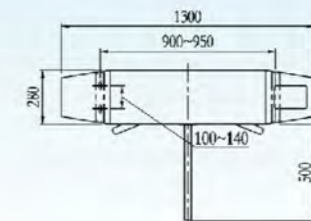
Functions And Features

- ◆ Smart card reader compatible with a variety of cards, such as IC, EM card, bar code ticket and magnetic card etc..
- ◆ Can be expanded to automatic identification system, realizing the functions of access control, pedestrian flow control, attendance check and fare collection etc..
- ◆ International standard electrical interface, can be easily integrated with other R/W device.
- ◆ Bidirectional indicating window.
- ◆ Infrared photocell protection.
- ◆ Invalid entering alarm.
- ◆ LED gate direction indicator .
- ◆ Audible sound prompt and information display optional.
- ◆ Counting function.
- ◆ Alarm against reverse direction passing.
- ◆ Heating equipment for low temperature (optional).



FJC-Z3318B

Tripod Turnstile FJC-Z3318A

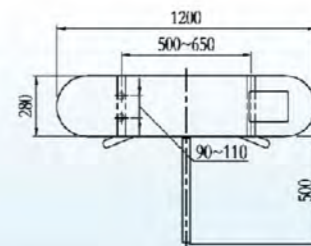
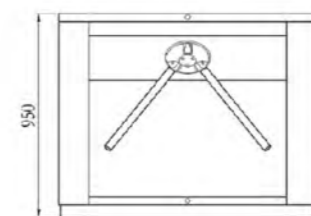


Technical Data

Housing material	304 stainless steel
Working environment	Indoor, outdoor
Working temperature	-30°C -- +70°C
Relative humidity	≤95% coagulation free
MCBF	2,000,000 cycles
Channel width	550-600 mm
Arm length	500 mm
Arm turning angle	120°
Arm turning direction	Two directions
Power supply	AC 220V/110V (optional)
Pass speed	25 persons/min.
Communication interface	RS485
Power	50W

Technical Data

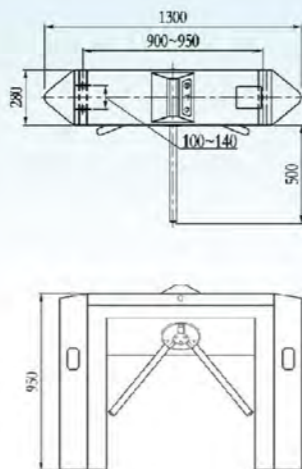
Housing material	304 stainless steel
Working environment	Indoor, outdoor
Working temperature	-30°C -- +70°C
Relative humidity	≤95% coagulation free
MCBF	2,000,000 cycles
Channel width	550-600 mm
Arm length	500 mm
Arm turning angle	120°
Arm turning direction	Two directions
Power supply	AC 220V/110V (optional)
Pass speed	25 persons/min.
Communication interface	RS485
Power	50W



Tripod Turnstile FJC-Z3328



Tripod Turnstile FJC-Z3338

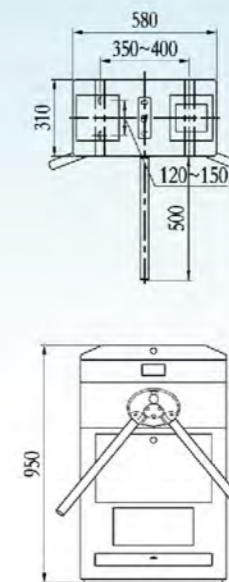


Technical Data

Housing material	304 stainless steel
Working environment	Indoor, outdoor
Working temperature	-30°C -- +70°C
Relative humidity	≤95% coagulation free
MCBF	2,000,000 cycles
Channel width	550-600 mm
Arm length	500 mm
Arm turning angle	120°
Arm turning direction	Two directions
Power supply	AC 220V/110V (optional)
Pass speed	25 persons/min.
Communication interface	RS485
Power	50W



Tripod Turnstile FJC-Z3248

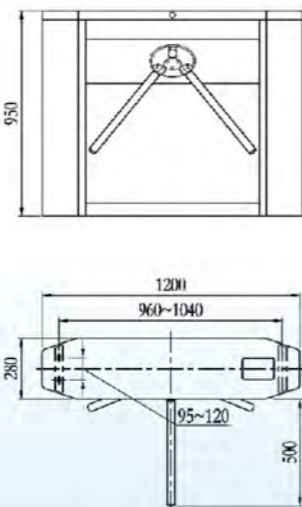


Technical Data

Housing material	304 stainless steel
Working environment	Indoor, outdoor
Working temperature	-30°C -- +70°C
Relative humidity	≤95% coagulation free
MCBF	2,000,000 cycles
Channel width	550-600 mm
Arm length	500 mm
Arm turning angle	120°
Arm turning direction	Two directions
Power supply	AC 220V/110V (optional)
Pass speed	25 persons/min.
Communication interface	RS485
Power	50W

Technical Data

Housing material	304 stainless steel
Working environment	Indoor, outdoor
Working temperature	-30°C -- +70°C
Relative humidity	≤95% coagulation free
MCBF	2,000,000 cycles
Channel width	550-600 mm
Arm length	500 mm
Arm turning angle	120°
Arm turning direction	Two directions
Power supply	AC 220V/110V (optional)
Pass speed	25 persons/min.
Communication interface	RS485
Power	50W

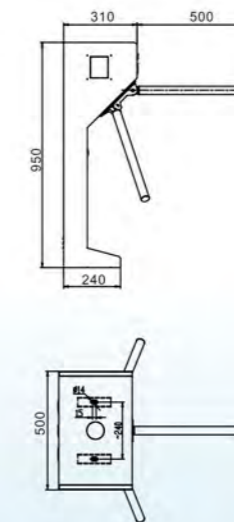


Tripod Turnstile FJC-Z3148



Technical Data

Housing material	304 stainless steel
Working environment	Indoor, outdoor
Working temperature	-30°C -- +70°C
Relative humidity	≤95% coagulation free
MCBF	2,000,000 cycles
Channel width	550-600 mm
Arm length	500 mm
Arm turning angle	120°
Arm turning direction	Two directions
Power supply	AC 220V/110V (optional)
Pass speed	25 persons/min.
Communication interface	RS485
Power	50W

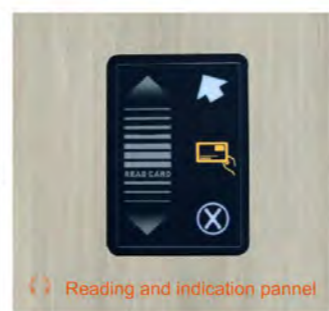


Automatic Tripod Turnstile FJC-Z3249

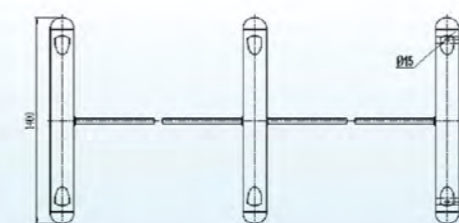
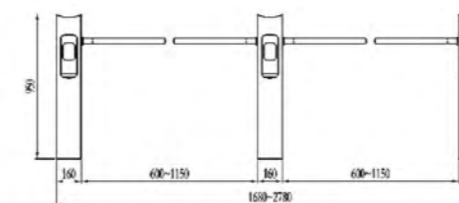


Functions And Features

- ◆ Three kinds of operation available:
Automatic/motorized, semi-automatic/solenoid, mechanical.
- ◆ Can be expanded to automatic identification system, realizing the function of access control, pedestrian flow control, attendance check or fare collection etc..
- ◆ Can open the turnstile by two input signals.
- ◆ One direction or two directions optional .
- ◆ Arm drop in the event of a power failure .
- ◆ Counting function available.
- ◆ Voice prompt and display screen available (optional).
- ◆ Alarming output for pushing the railing without permission(optional).



Arm Drop Turnstile FJC-Z6618



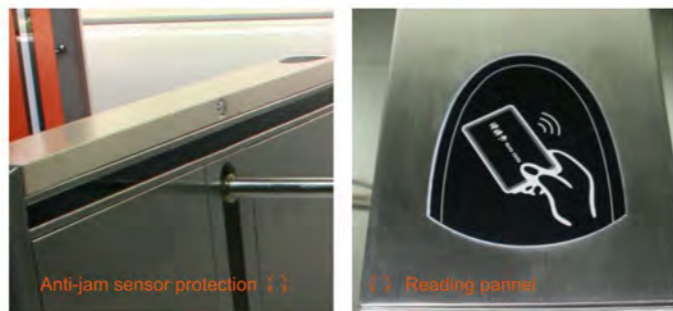
Technical Data

Housing material	304 stainless steel
Channel width	≤1150mm(a pair)
Working environment	Indoor, outdoor
Working temperature	-30℃ -- +70℃
Relative humidity	≤95% coagulation free
Power supply	AC 220V/110V (optional)
Input interface	switch volume or 12V level
Power	50W
Pass speed	40 persons/min.
Communication interface	RS485
MCBF	1,000,000 cycles

F

unctions And Features

- ◆ Manually handle to open/close the gate.
- ◆ Alarm against reverse direction passing.
- ◆ Far infrared sensor protection.
- ◆ Can be expanded to automatic identification system, realizing the function of access control, pedestrian flow control, attendance check or fare collection.
- ◆ International standard electrical interface, can be easily integrated with other R/W device.
- ◆ Bidirectional indicating window.
- ◆ Infrared photocell protection.
- ◆ Invalid entering alarm.
- ◆ LED gate direction indicator.
- ◆ Audible sound prompt and information display optional.
- ◆ Counting function.
- ◆ Heating equipment for low temperature (optional).



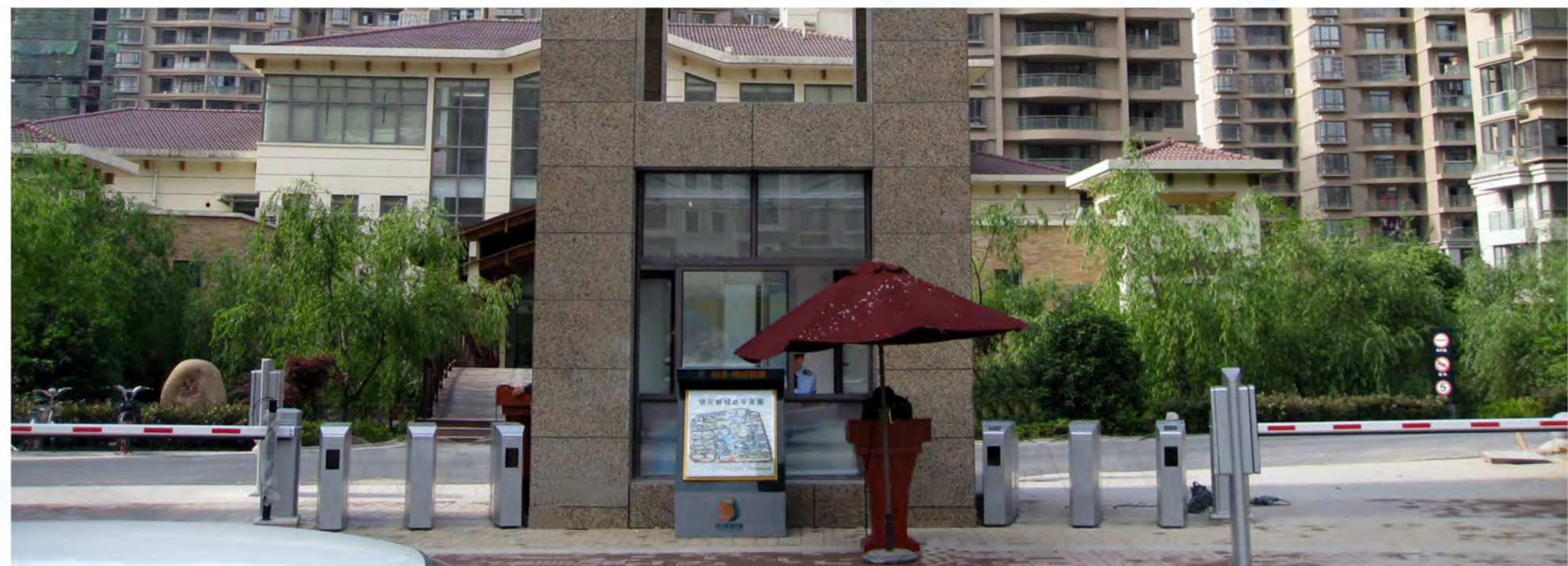
E

nterance Control Applications



Amusement Park







Hotel Leisure

Hotel



Building
Government,
Office Building



Customs, Port, Station

Customs